

KIMPTON WV351101

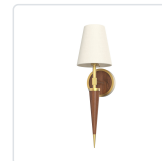
FIXTURE DIMENSIONS	W5" x H17" x E6-3/8"
HEIGHT FROM CENTER	7-7/8"
EXTENSION	6-3/8"
LAMP TYPE	E12
MAX WATTAGE	60W
BULB QTY	1
BULBS INCLUDED	No
VOLTAGE	120V
MATERIAL	Clear Acrylic; Linen; Steel; Steel, Linen; Wood;
LOCATION	Damp
CANOPY DIMENSIONS	D4-1/4" x E1-1/8"
PAINT FINISH	VB01

[D - Diameter, L - Length, W - Width, H - Height, E - Extension]

AVAILABLE FINISHES:

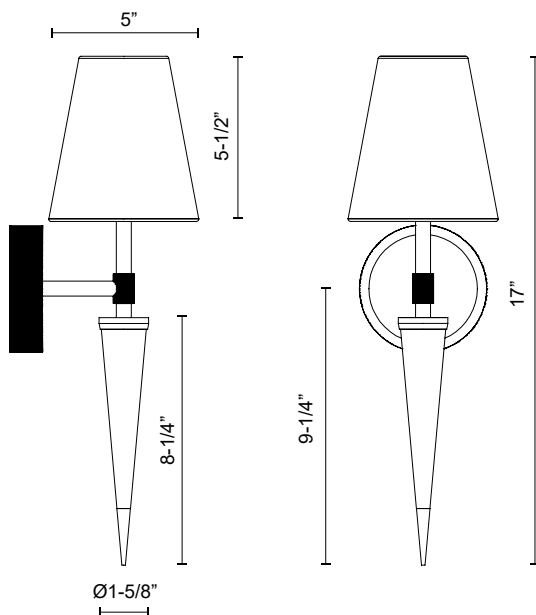
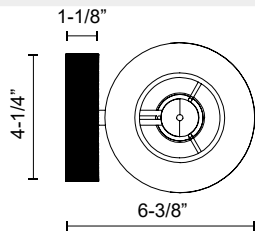


WV351101VBFG
Gold Flake/Vintage
Brass



WV351101VBWT
Vintage
Brass/Walnut

*For complete warranty terms, please visit: www.aloralighting.com/warranty



WWW.ALORALIGHTING.COM

© 2021 KUZCO LIGHTING. ALL RIGHTS RESERVED.

